

**Coffee System**  
**Doser Coffee Grinder, Flat 75 mm**

ITEM # \_\_\_\_\_

MODEL # \_\_\_\_\_

NAME # \_\_\_\_\_

SIS # \_\_\_\_\_

AIA # \_\_\_\_\_



602544 (GRND700)

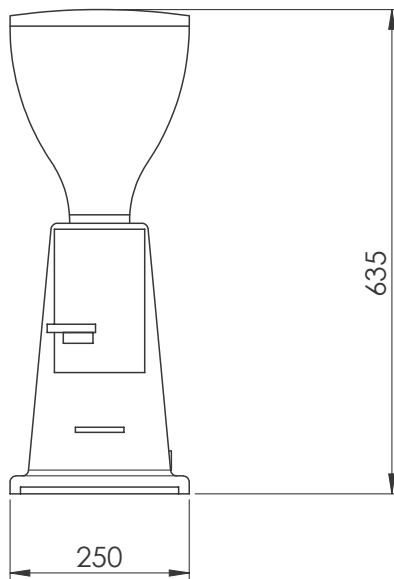
Doser Coffee Grinder, flat,  
75mm

**Main Features**

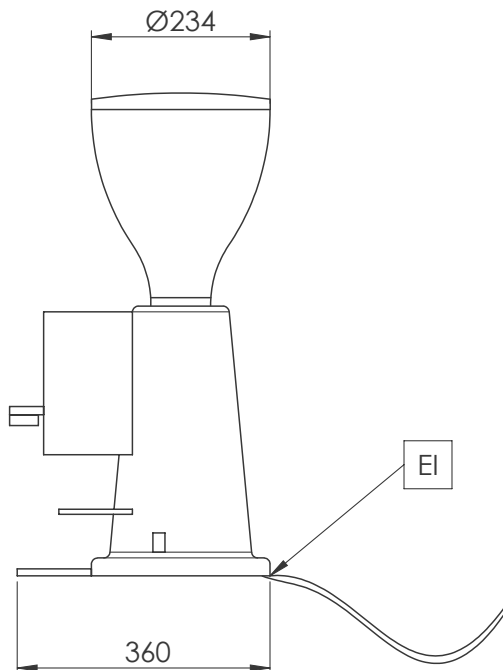
- Automatic fill-in doser.
- Practical to use thanks to the automatic refill feature of the doser compartment, distributing a volumetrically controlled, consistent portion every time.

APPROVAL: \_\_\_\_\_

Front



Side



**Electric**

Supply voltage:

602544 (GRND700) 230 V/1N ph/50/60 Hz

Electrical power max.:

0.8 kW

Plug type:

CE-SCHUKO

**Key Information:**

External dimensions, Width: 250 mm

External dimensions, Depth: 360 mm

External dimensions, Height: 635 mm

Net weight: 15.5 kg

Shipping weight: 18 kg

Shipping height: 880 mm

Shipping width: 440 mm

Shipping depth: 510 mm

Shipping volume: 0.2 m<sup>3</sup>